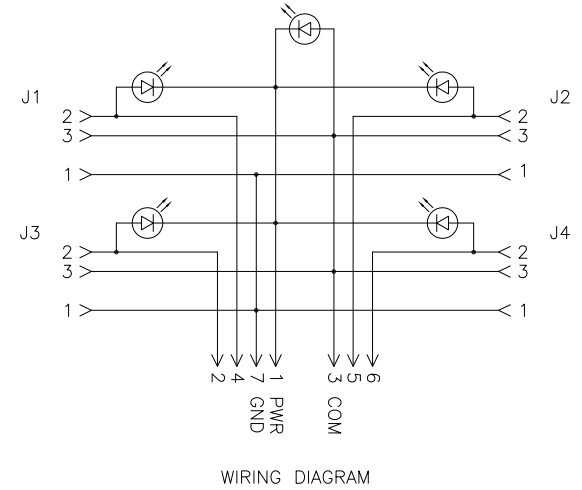
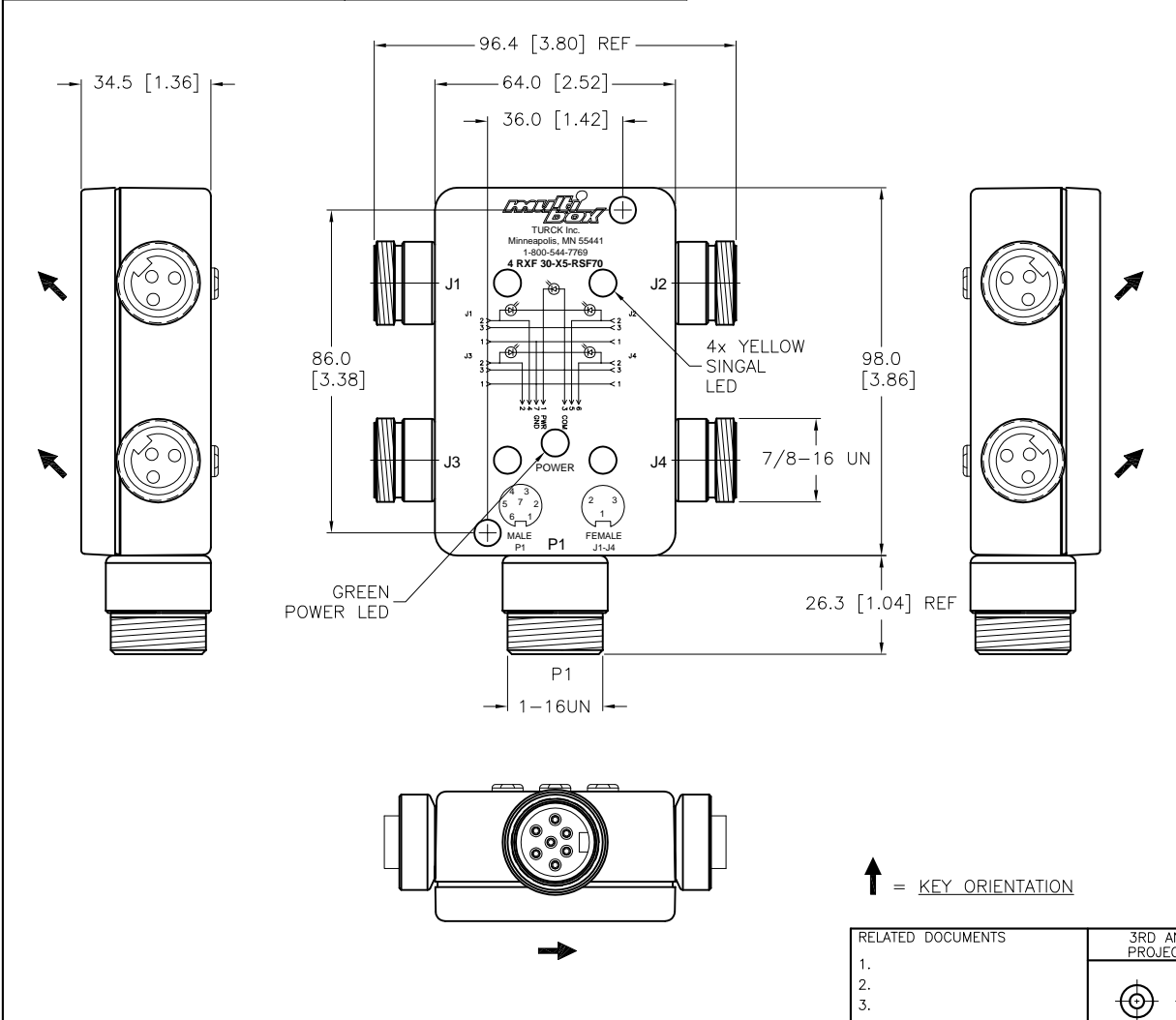


SPECIFICATIONS	
HOUSING MATERIAL	ALUMINUM ALLOY
HOUSING FINISH/COLOR	EPOXY/BLACK
CONTACT CARRIERS	TPU
CONTACTS	BRASS/GOLD
DISCONNECTS	BRASS/NICKEL
OPERATING VOLTAGE	40-120 VAC
OPERATING CURRENT	4.0 A PER PORT, 9.0 A TOTAL
PROTECTION CLASS to DIN 40050	IP 67 ONLY WHEN RKM 76-*M CORDSET AND ALL RECEPTACLES ARE COVERED WITH PLUGS OR CONNECTED
OPERATING TEMPERATURE	-30°C to +105°C (-22°F to +221°F)



↑ = KEY ORIENTATION

SOURCE DRAWING - FOR REFERENCE ONLY

- NOTES:
1. CLEARANCE HOLE FOR 1/4-20 MOUNTING SCREWS (NOT SUPPLIED).
 2. AT 24 VAC THE LEDS MAY NOT BE AS BRIGHT AS NORMAL.

RELATED DOCUMENTS		3RD ANGLE PROJECTION		THIS DRAWING IS CONFIDENTIAL AND THE PROPERTY OF TURCK INC. USE OF THIS DOCUMENT WITHOUT WRITTEN PERMISSION IS PROHIBITED.		TURCK INC High Technology Sensors and Automation Controls 3000 CAMPUS DRIVE MINNEAPOLIS, MN 55441 1-800-544-7769 (763) 553-7300 (763) 553-0708 fax turck.com	
1. 2. 3. 4.				DRFT RDS	DATE 09/22/11	DESCRIPTION 4 RXF 30-X5-RSF70	
MATERIAL SEE SPECIFICATIONS		ALL DIMENSIONS DISPLAYED ON THIS DRAWING ARE FOR REFERENCE ONLY		APVD J.S.	SCALE 1=2.0	IDENTIFICATION NO. U0923-80	
FINISH SEE SPECIFICATIONS		CONTACT TURCK FOR MORE INFORMATION		UNIT OF MEASUREMENT MILLIMETER [INCH]		REV B	
B REMOVE TRADEMARKED MATERIAL REFERENCES		CBM	11/16/12	40471	DO NOT SCALE THIS DRAWING		FILE: U0923-80
REV	DESCRIPTION	BY	DATE	ECO NO.	SHEET 1 OF 1		